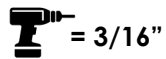
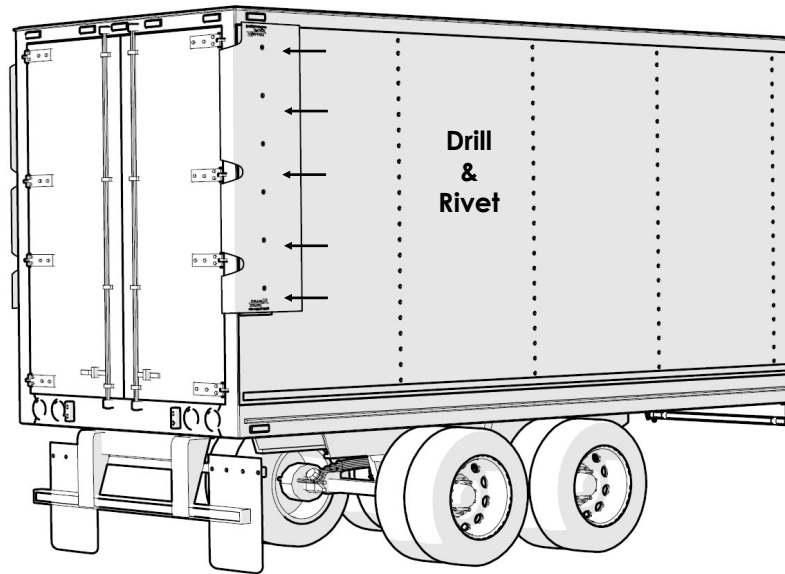


7. Finish

A.) **Leading Edge:** Peel the tape backing from the leading edge of the SF then drill five holes and rivet to the trailer wall.

B.) **Trailing Edge:** Apply a bead of caulk between the rear door frame and the inside of the Side Fairing.



Part No.	Qty.	Description (SMT-07-1006)	Picture
SMT-P1-00042	2	SF, plastic fairing	
SMT-T1-3010	1	SF, installation template	
SMT-T1-3009	1	SF, hinge cutout template	
SMT-07-2007	6	SF, bracket, flat	
SMT-07-8005	1	SF, fastener kit	
SMT-00-7016	12	Button head, flange bolt, 3/8" .50"L	
SMT-00--7018	40	Q-Rivet, .187" Dia.	

*Follow manufacturers' recommended guidelines when using chemical components.

INSTALLATION DISCLAIMER

Purchaser acknowledges that the Side Fairing and individual components thereof must be installed by a qualified technician in conformance with Seller's written instructions. Purchaser assumes full responsibility for such proper installation and expressly releases, discharges, and waives any and all actions or causes of action against Seller arising in connection with Purchaser's carelessness or negligence in ensuring the proper installation by a qualified technician according to Seller's written instructions therefor. **NOTE:** These are supplemental installation instructions for the Side Fairings only, this document does not replace the full MNL-00-0008 manual. Please reference the MNL-00-0008 manual for complete product installation information, which can be found at www.SmartTruckAero.com

IQS-07-0018

www.SmartTruckAero.com

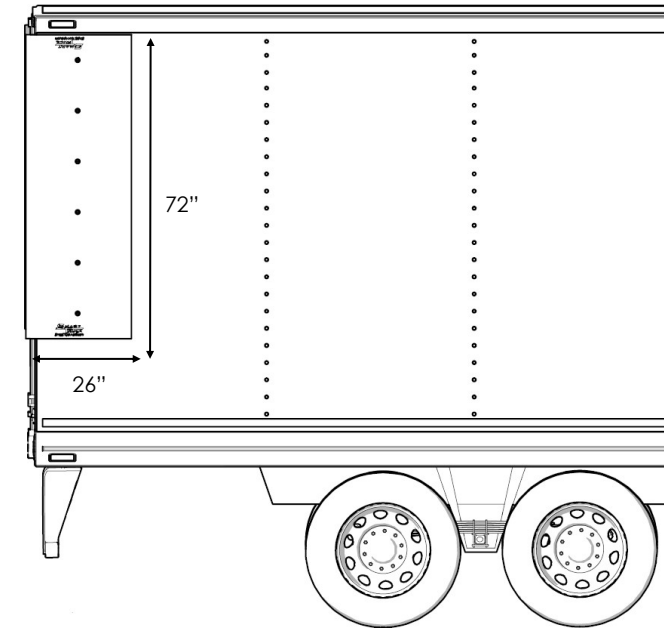
Technical Support 888-320-5906

SmartTruck Installation QuickStart

Side Fairings - Flat Side Walls

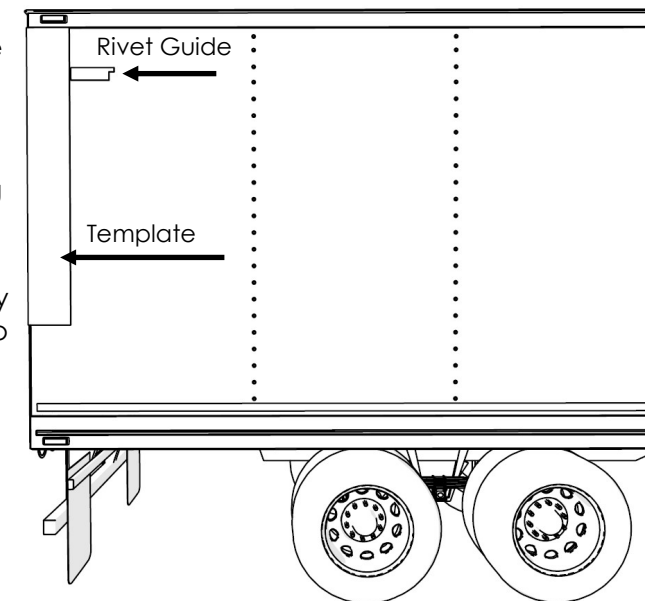
1. Trailer Inspection

- Inspect the trailer side walls for damage and repair if necessary.
- Ensure the trailer is completely free of moisture such as ice, snow, and condensation.
- The outer skin of the trailer walls must be at least 50 °F during installation.



2. Hang Template

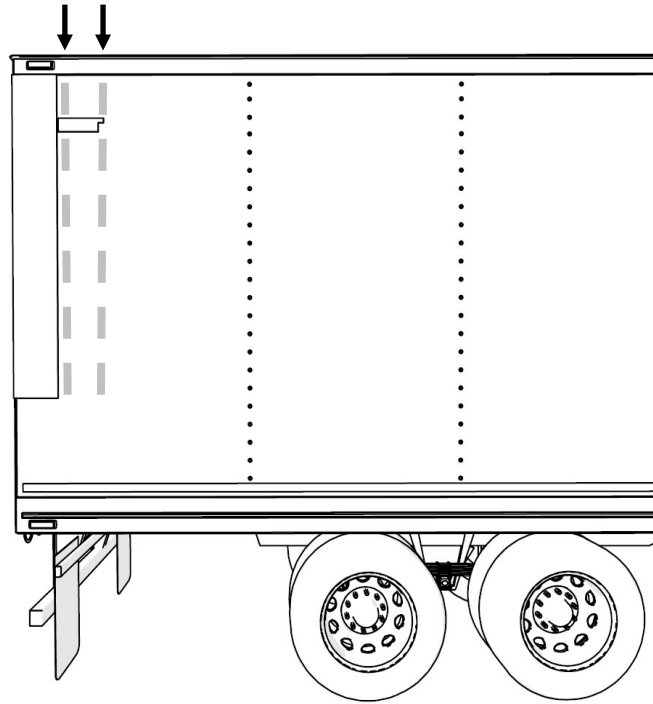
- Hang the template as shown to determine the location of the Side Fairing Brackets.
- Align the template with the top rail and rear of the trailer then secure with masking tape.
- Check to ensure there are no rivets directly in front of the SF template and use the pop-out rivet guide to ensure there will be no rivets under the leading edge of the SF.
- **Do not install VHB adhesive tape over rivets.**



(See instructions on template for more details.)

3. Prepare Side Walls

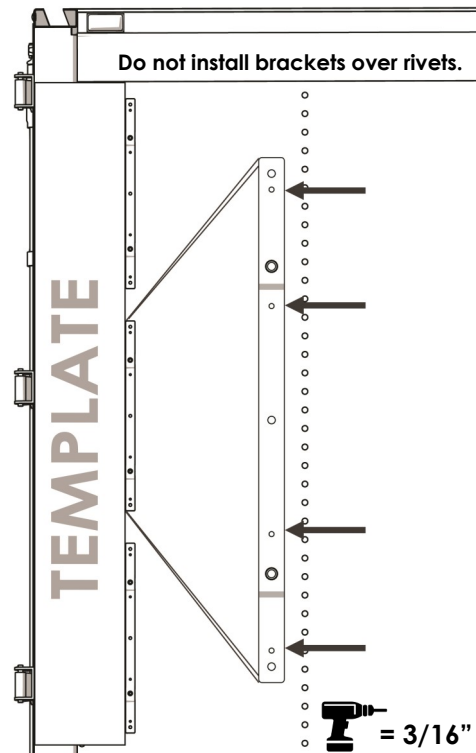
- Clean the highlighted areas with acetone only and allow to dry completely.



Failure to follow this cleaning procedure or use of another solvent may result in loss of tape adhesion.

4. Install Brackets

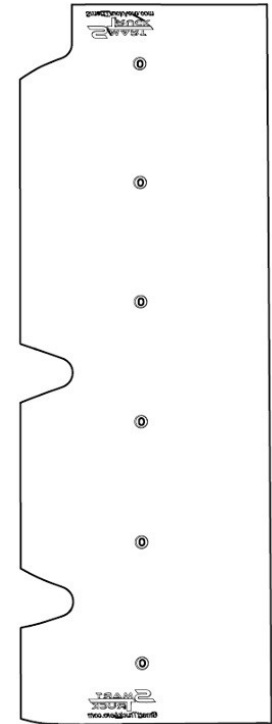
- Install three brackets on each side of the trailer.
- Remove the tape backing from each bracket and apply to the trailer wall where indicated by the SF template. Apply roughly 15 lbs. of pressure for full adhesion.
- Drill through the small holes in the brackets into the outer skin of the trailer wall only.
- Install a sealed rivet into each hole.
- 1/4" holes are to be utilized with buck rivets only (not provided).



Do not install brackets over a vinyl decal. Outline the bracket onto the decal and remove material so the bracket will adhere directly to the trailer wall.

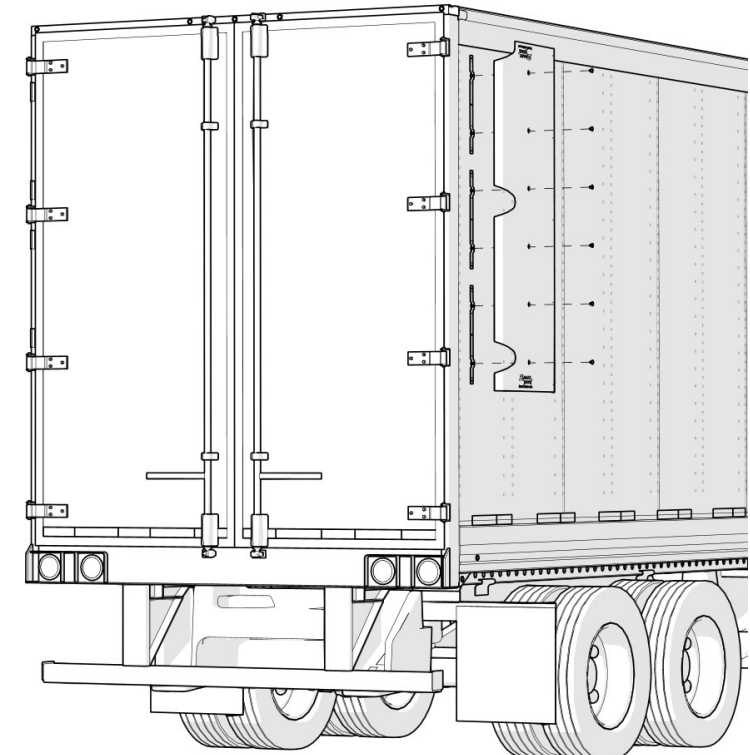
5. Door Hinge Cut-Outs


- Mark the locations of the door hinges onto the side fairing and use the Hinge Cut Template to cut notches in the trailing edge.
- Open and latch doors to test clearance around the door hinges.



6. Hang Fairings

- Hang the Side Fairing onto the brackets and secure with fastener kit.
- **Torque bolts to 35 foot-pounds.**



 = 7/32"