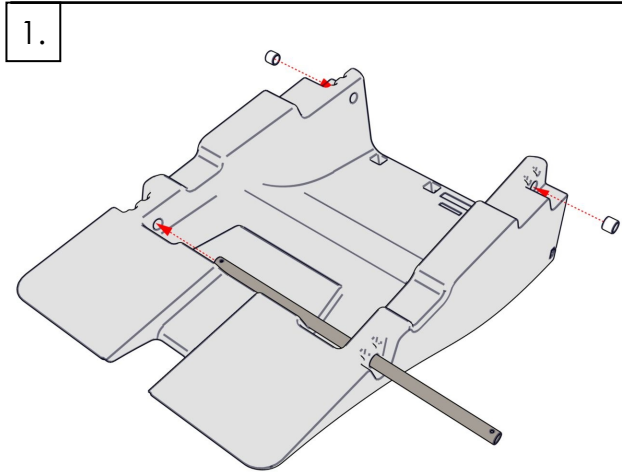
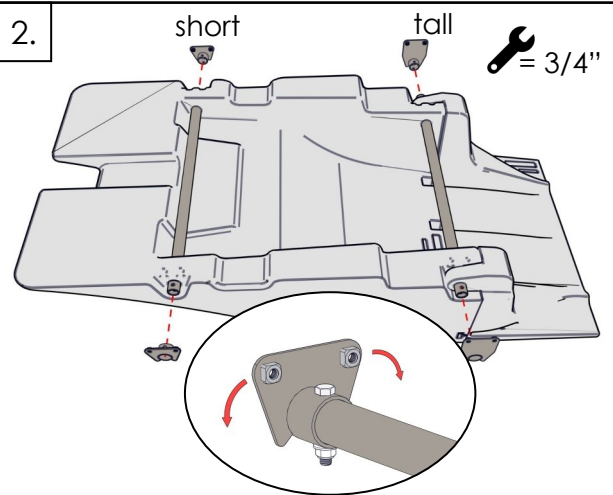


SmartTruck Installation QuickStart

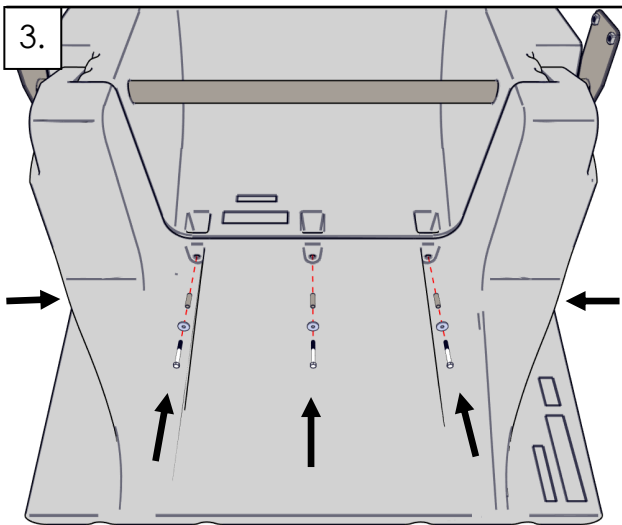
Forward UnderTray/Integrated Sled



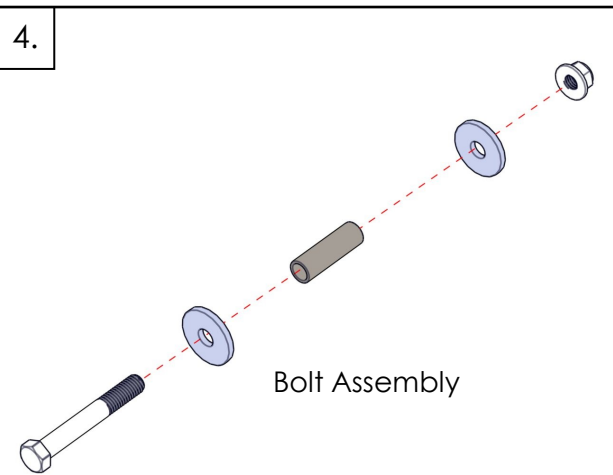
Insert forward tube and rear PVC spacers.




- A. Attach the IS and insert rear tube.
- B. Install hanger brackets.
- C. Tighten brackets to allow slight movement.



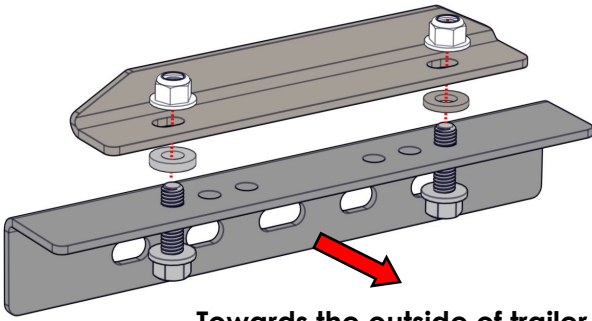
Loosely attach fastener kit **08-8003** in the three center holes and the T-slots on each side.



 = 9/16"

When all bolts are in place **torque to 30 ft-lbs.**

5.

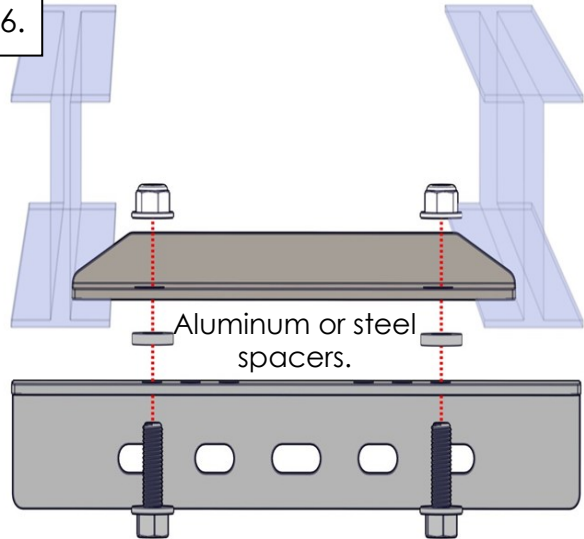


Towards the outside of trailer.

Assemble brackets as shown.

Determine the type of I-beams on your trailer (aluminum or steel) and place the matching spacer between the two brackets.

6.

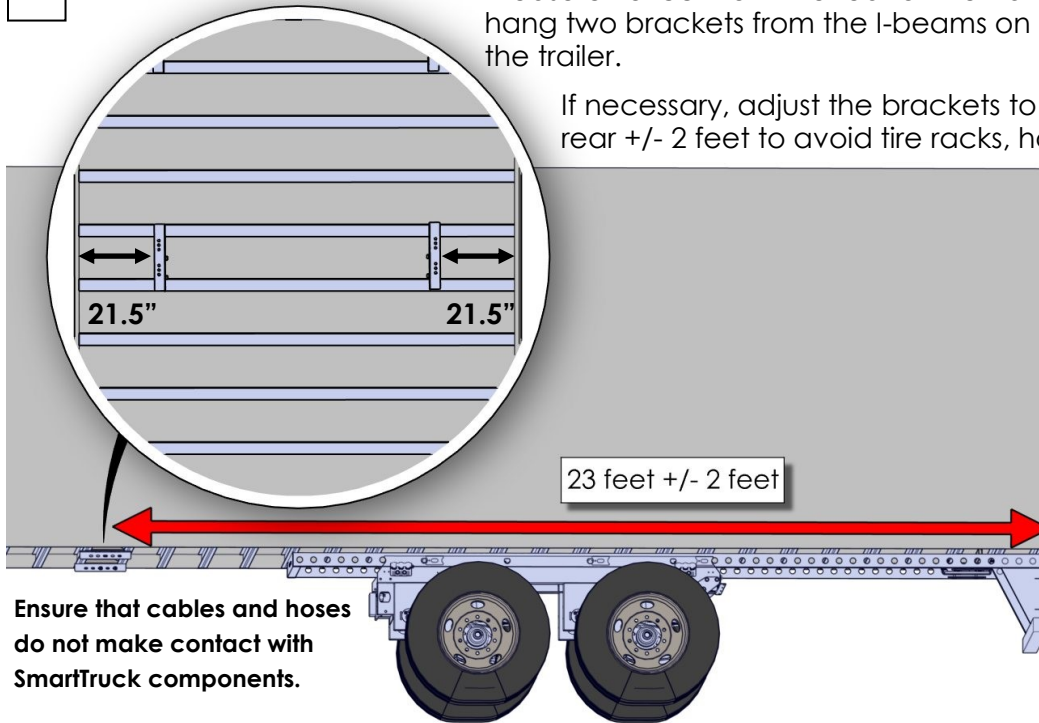


I-beam spacing can vary from 6" - 12" on different trailers. SmartTruck offers brackets that fit all spacing options. Contact a representative for ordering options. Do not modify brackets. Any modification of brackets will void the SmartTruck warranty.

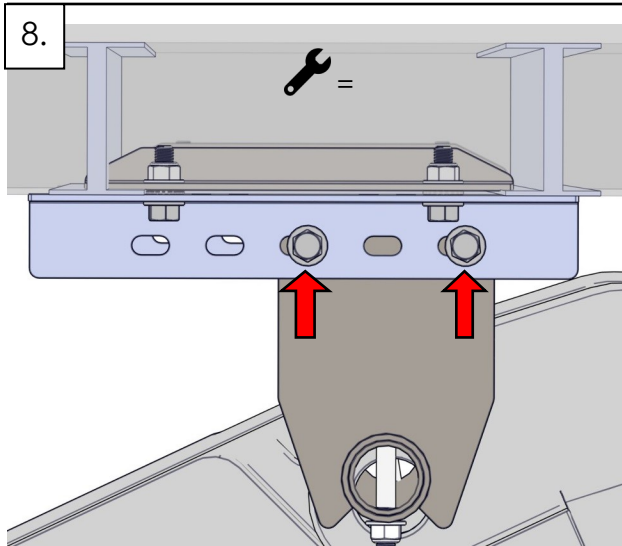
7.

Measure **23 feet** from the rear of the trailer and loosely hang two brackets from the I-beams on each side of the trailer.

If necessary, adjust the brackets to the front or rear +/- 2 feet to avoid tire racks, hoses, etc.

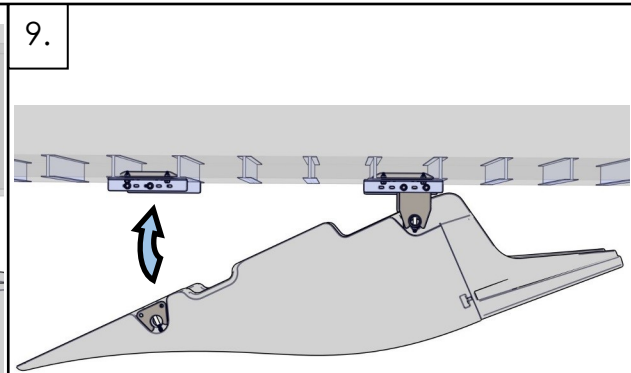


Ensure that cables and hoses do not make contact with SmartTruck components.



Lift the rear of the FUT/IS and loosely attach the rear hanger brackets to the angle brackets as shown.

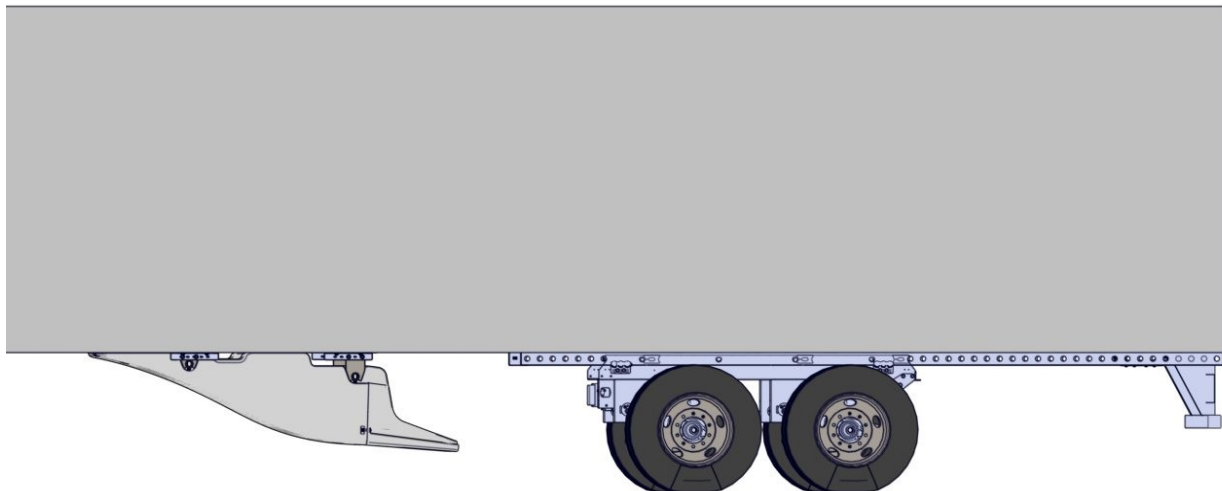
Always mount the rear hanger brackets to the hole pattern displayed.



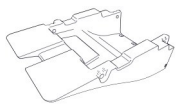













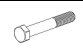


Raise the front of the FUT/IS to determine the location of the forward angle brackets.

Attach brackets to I-beams and then the FUT to the brackets.

10. After hanging the FUT/IS, align the plastic with the mounting brackets by pushing the plastic towards the rear of the trailer.



Center the FUT/IS on the I-beams by measuring an equal distance on each side (Approx. 21.5"). **Tighten and torque all bolts to 75 foot-pounds.**

Qty.	Part No.	Description	
1	SMT-P1-00040	FUT, plastic fairing	
1	SMT-P1-00033	FUT, Integrated Sled, plastic fairing	
2	SMT-03-2094	FUT, short hanger bracket, forward tube	
2	SMT-03-2095	FUT, tall hanger bracket, rear tube	
2	SMT-03-3063	FUT, mount tube, 2" OD, 57.50" L	
4	SMT-03-3140	FUT, universal angle bracket	
4	SMT-03-3114	FUT, short angle mount bracket, 12" pitch	
2	SMT-03-3118	FUT, PVC spacer, rear mount	
1	SMT-03-8001	FUT, hardware kit	
8	98025A133	Steel Washer, aluminum I-beam spacer	
16	92979A471	Hex cap flange bolt, 1/2" 13 thread, 1.5" L	
12	93298A150	Hex flange locknut 1/2"-13 thread	
4	91247A725	Hex head cap bolt, 1/2"-13 thread, 3.25" L	
8	SMT-03-3117	FUT, spacer, steel I-beam	
1	SMT-08-8003	FUT, Integrated Sled hardware kit	
10	11101273	Heavy Fender Washer	
5	91247A635	Hex cap bolt, 3/8"-16 thread, 2.75" L	
5	93298A130	Hex flange locknut, 3/8"-16 thread,	
5	SMT-08-3002	Crush sleeve, 0.50" OD, 0.402" ID, 1.625" L	

INSTALLATION DISCLAIMER

Purchaser acknowledges that the UnderTray System and individual components thereof must be installed by a qualified technician in conformance with Seller's written instructions. Purchaser assumes full responsibility for such proper installation and expressly releases, discharges, and waives any and all actions or causes of action against Seller arising in connection with Purchaser's carelessness or negligence in ensuring the proper installation by a qualified technician according to Seller's written instructions therefor. **NOTE:** These are supplemental installation instructions for the FUT/IS only, this document does not replace the full SMT-UT6-0003 manual. Please reference the SMT-UT6-0003 manual for complete product installation information, which can be found at www.SmartTruckAero.com

Tech Support: 888-320-5906

FUT-IQS-0005