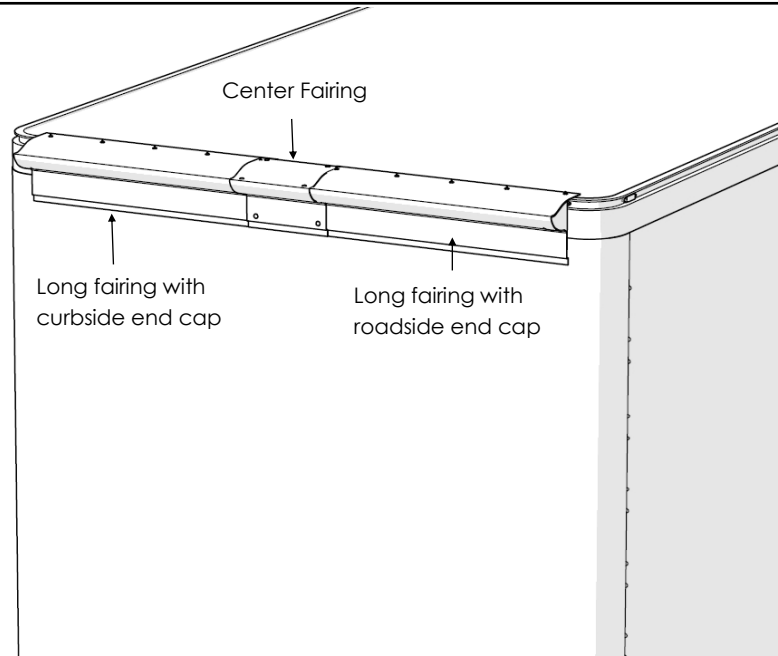


# SmartTruck Installation QuickStart

## LeadEdge Top Fairing (LETF)

### 1. LeadEdge Assembly

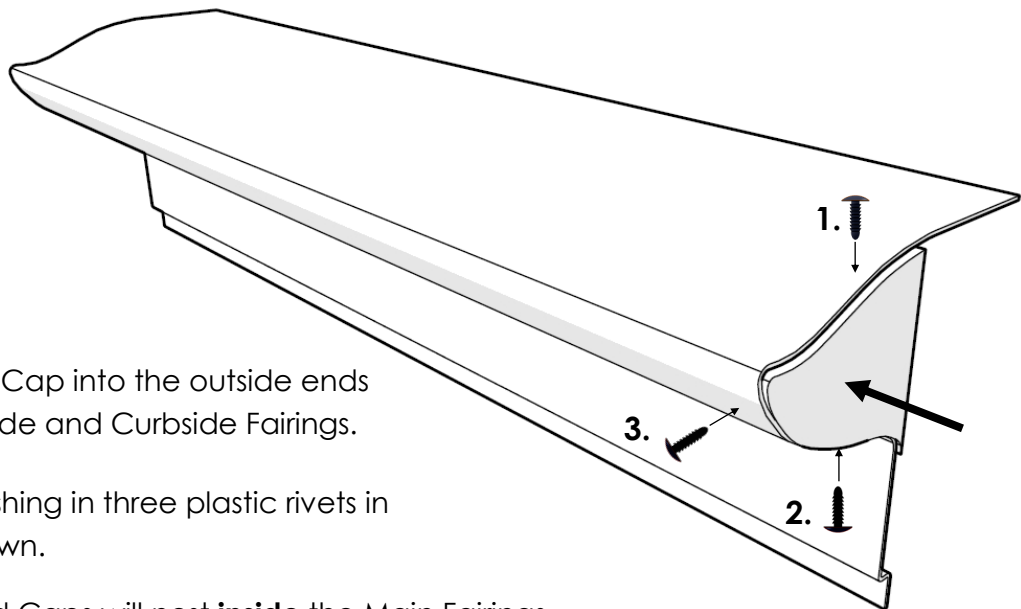
The LeadEdge Top Fairing attaches to the flat surface on the front wall of the trailer.



### 2. Install End Caps

Insert an End Cap into the outside ends of the Roadside and Curbside Fairings.

Fasten by pushing in three plastic rivets in the order shown.



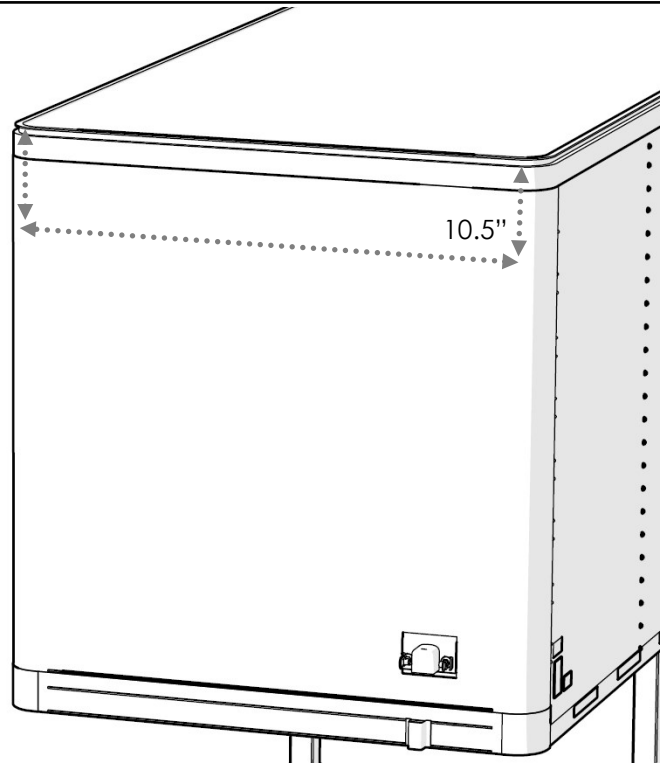
**NOTE:** The End Caps will nest **inside** the Main Fairings.

### 3. Trailer Prep.

Measure 10.5" down from the roof of the trailer and mark the line with a piece of masking tape across the front wall.

Directly above the line of tape, clean the surface of the trailer with Acetone and allow to completely dry.

**Ensure the outside surface of the trailer is above 50° F and is completely free of moisture, including ice, snow, and condensation.**

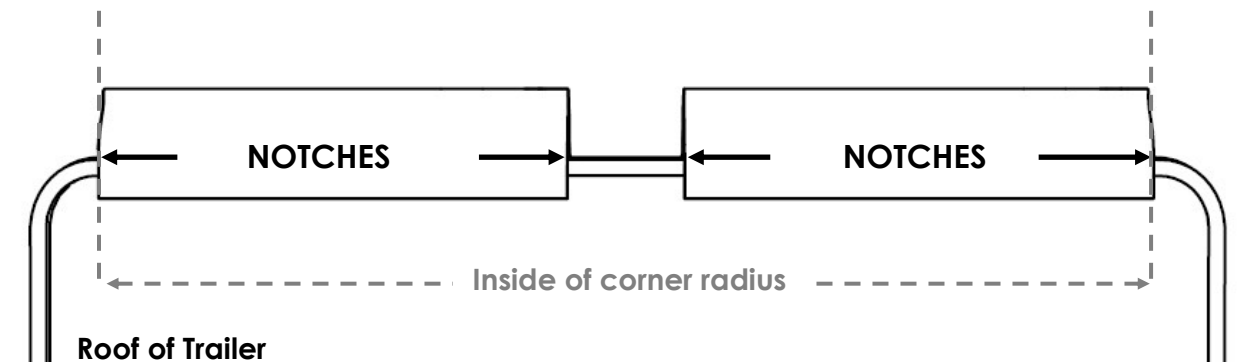


### 4. Alignment

Position the LeadEdge Fairings inside the corner radius on the flat surface of the front wall. (Temporarily secure with tape or clamps.)

Align the notches in the fairings with the forward edge of the roof.

**NOTE: On trailers with forward facing lights, position the fairings six inches inward of the lights.**

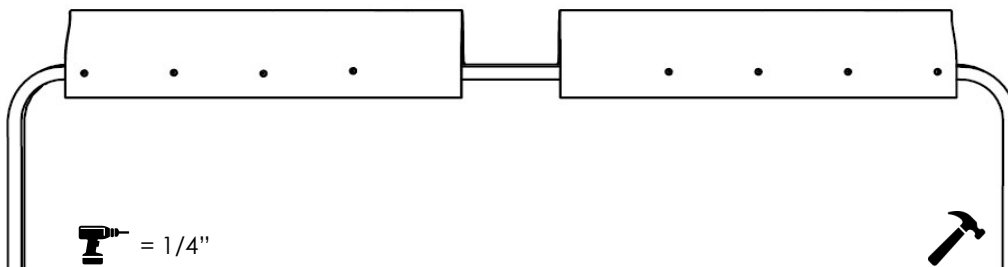
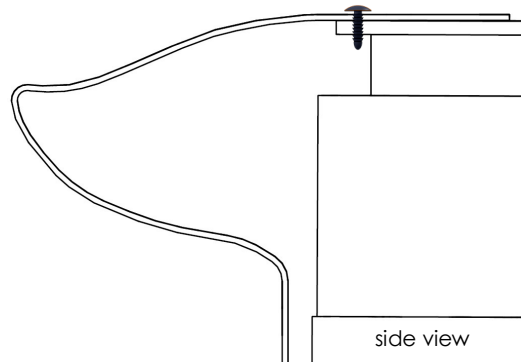


## 5. Drill and Rivet

For each fairing, drill **four** holes through the LeadEdge fairing into the roof extrusion (see pattern shown below) and install drive rivets.

There will be two rivets leftover that will be used in **Step 7**.

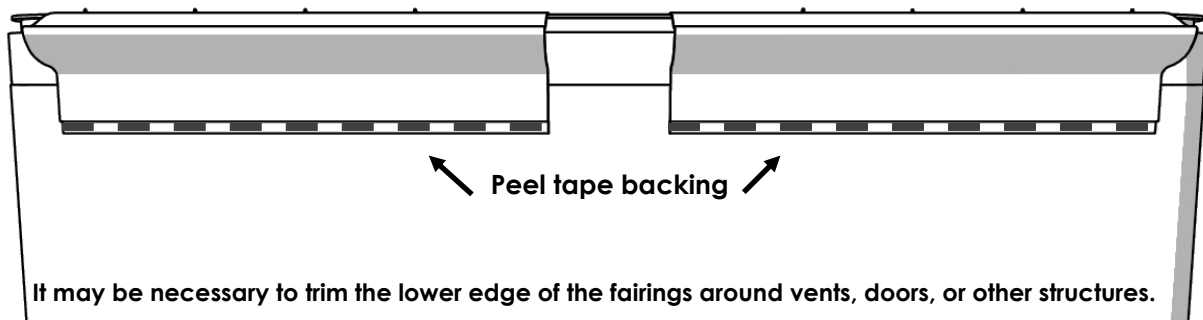
Install rivets into roof flange as shown.  
Do not drill through cargo area.



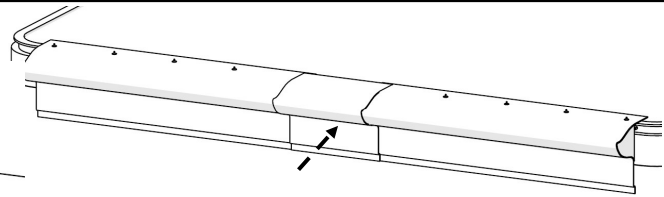
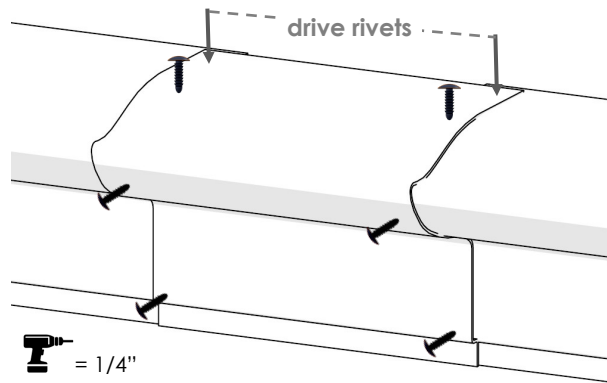
## 6. Secure Lower Edge

Remove the tape backing from the lower edge of the fairings and firmly apply to the fairings to the trailer wall.

For more information see [Surface Preparation for 3M VHB Tape applications at www.3m.com](http://www.3m.com).



## 7. Install the Center Piece



Attach the center piece by drilling through the three guide holes into each side of the LeadEdge fairings and installing six plastic rivets in total.

Drill two holes through the top roof extrusion and install two additional drive rivets through both layers of plastic.

Part Number	Description	Qty	Image
SMT-09-2002	LETf, plastic fairing, 41" Length	2	
SMT-09-2001	LETf, plastic fairing, 16" Length	1	
SMT-09-6044	LETf, plastic end cap, curbside	1	
SMT-09-6045	LETf, plastic end cap, roadside	1	
SMT-09-8001	LETf, Fastener Kit		
SMT-00-7022	Drive rivet, .25" dia.	10	
SMT-00-7023	Panel rivet, .25" dia	12	

### INSTALLATION DISCLAIMER

Purchaser acknowledges that the UnderTray System and individual components thereof must be installed by a qualified technician in conformance with Seller's written instructions. Purchaser assumes full responsibility for such proper installation and expressly releases, discharges, and waives any and all actions or causes of action against Seller arising in connection with Purchaser's carelessness or negligence in ensuring the proper installation by a qualified technician according to Seller's written instructions therefor. These are supplemental installation instructions for the LeadEdge Top Fairing only, this document does not replace